

# The **Bucket**<sup>™</sup> press by Coquard



**2 tons red grape**  
**Goose-neck design**  
**for 300° access**



**PATENTED**

**The **Bucket**<sup>™</sup> press  
is the new tool for the creative winemaker.**

---

#### Advantages

- Wine separation without skin abrasion : minimal solids generated
- Large drainage area through a unique complete bottom drainage system
- Collection of the wine by gravity into settling tank below the bucket
- Easy sanitation
- Minimal movement of the pomace from the tank through pressing
- Sized to allow the winemaker the ultimate in quality with the maximum output
- 2 tons red grape

---

#### **LES PRESOIRES COQUARD**

Manufacturers of fine presses in Champagne since 1924

*Premier*  
Wine Cask, Inc

#### **Premier Wine Cask, Inc**

North America Representative

1710 Soscol Ave, Ste 5, Napa, CA 94559 Tel 707-257-0714 Fax 707-257-0742

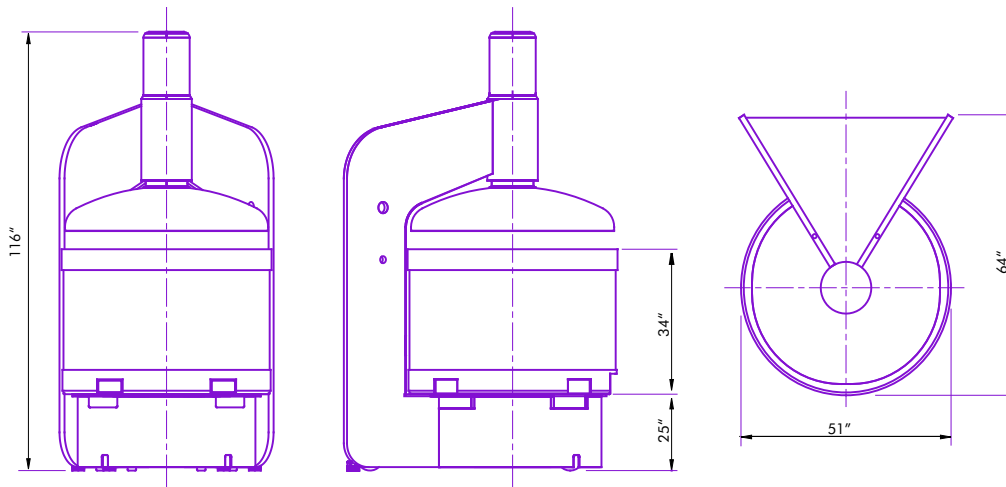
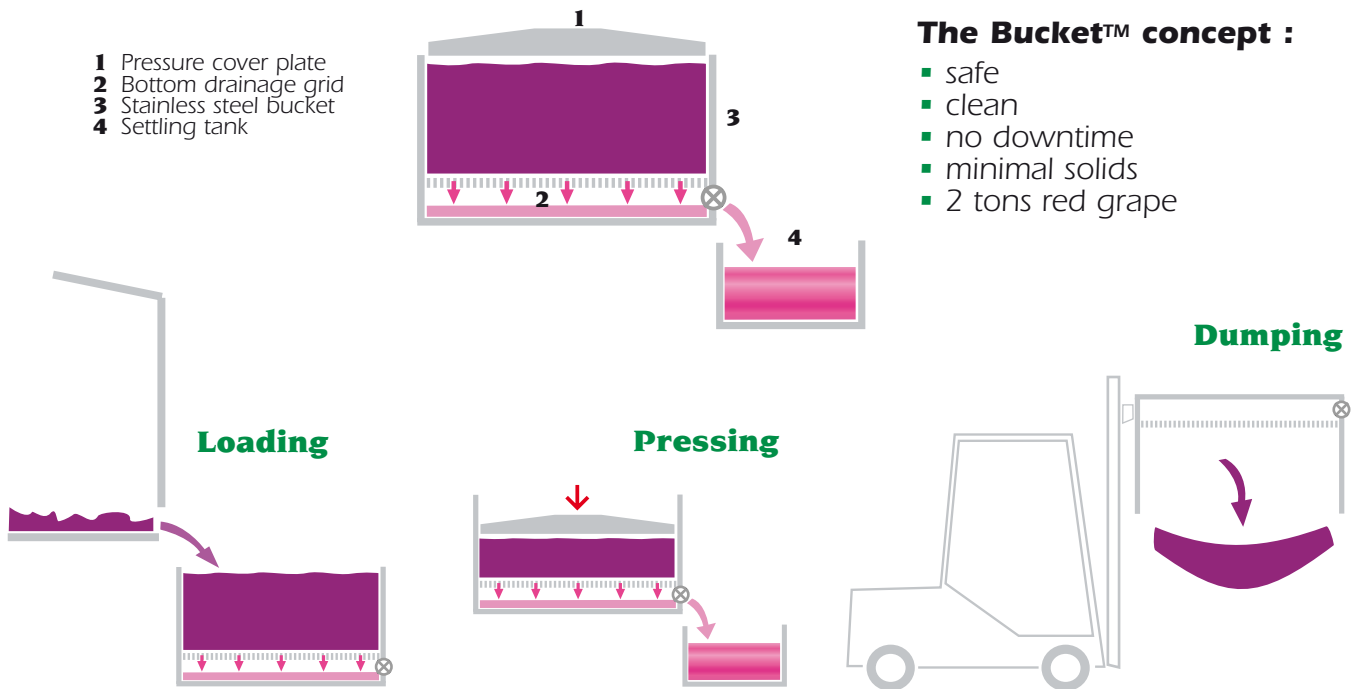
info@premierwinecask.com [www.premierwinecask.com](http://www.premierwinecask.com)

# The Bucket™ press by Coquard

- 1 Pressure cover plate
- 2 Bottom drainage grid
- 3 Stainless steel bucket
- 4 Settling tank

## The Bucket™ concept :

- safe
- clean
- no downtime
- minimal solids
- 2 tons red grape



## LES PRESOIRS COQUARD

Manufacturers of fine presses in Champagne since 1924

All hydraulic presses :  
traditional basket, automatic PAI, Bucket™ press, custom design press /  
Turn-key pressing operations / Volumetric control /  
Maintenance.

[www.coquardpresses.com](http://www.coquardpresses.com)



## Premier Wine Cask, Inc

North America Representative

1710 Soscol Ave, Ste 5, Napa, CA 94559 Tel 707-257-0714 Fax 707-257-0742

info@premierwinecask.com [www.premierwinecask.com](http://www.premierwinecask.com)